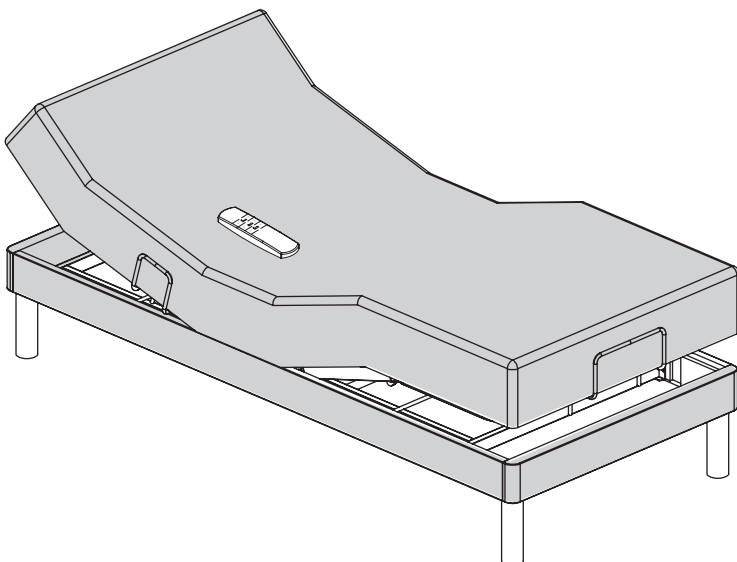
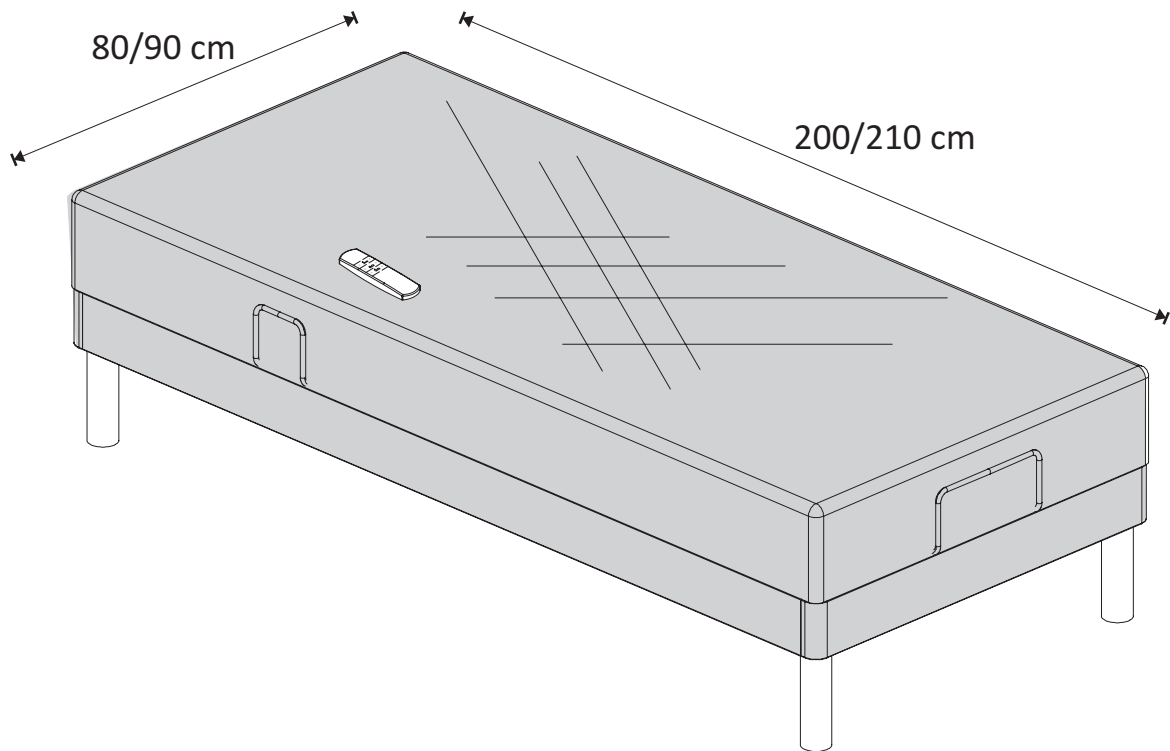
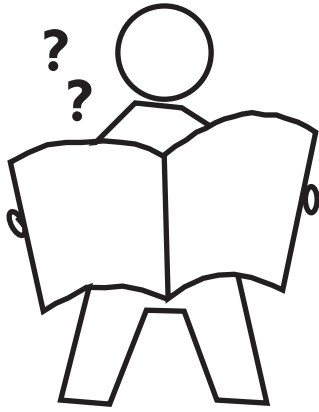
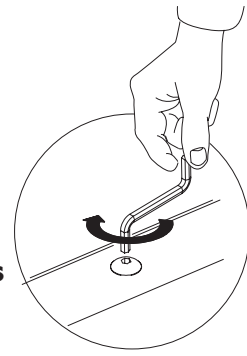


# ELEVATIONSBUND

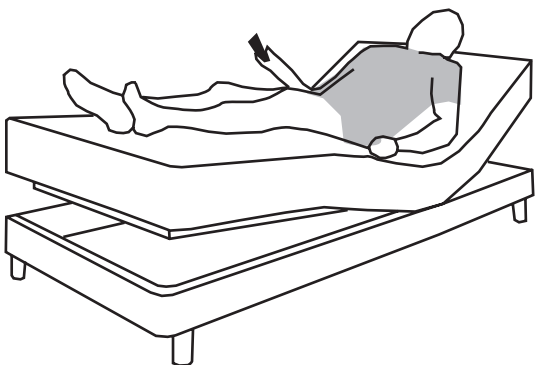
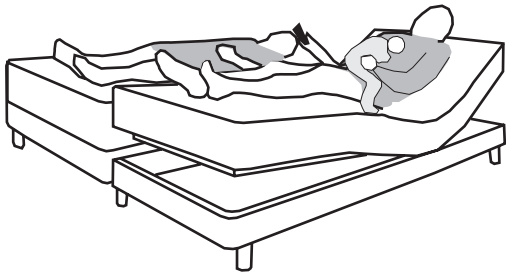



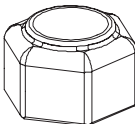
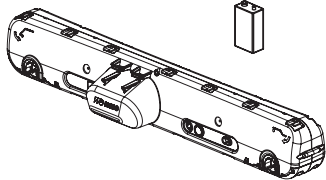
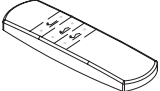
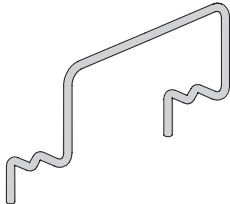

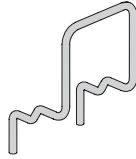

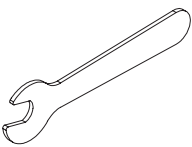

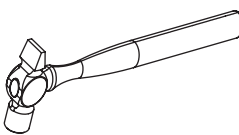
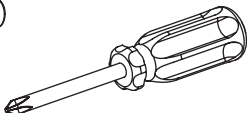


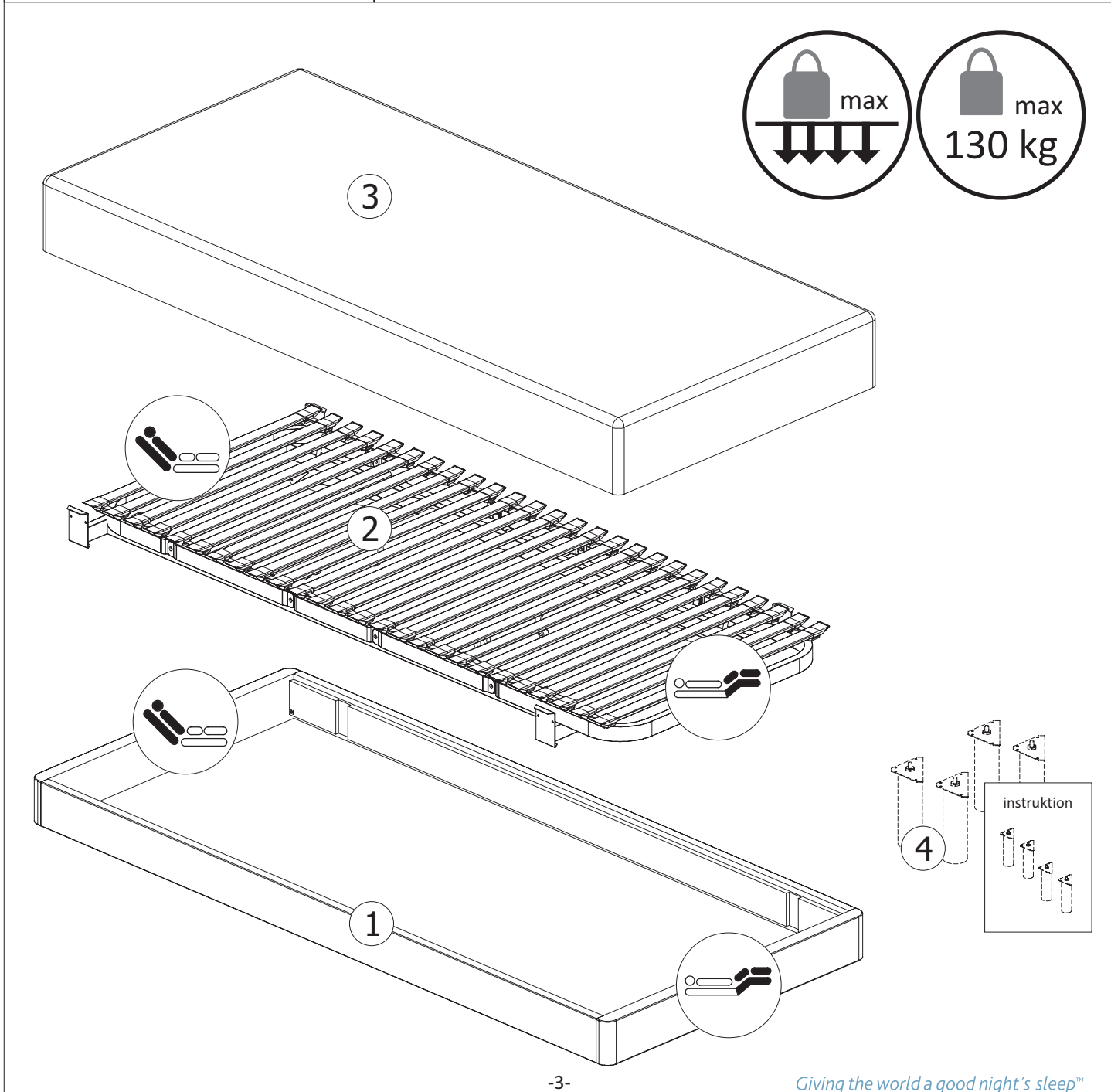
+ 14 days



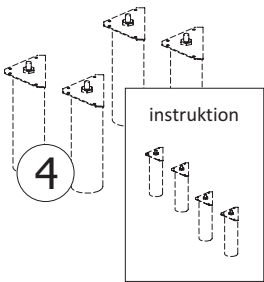
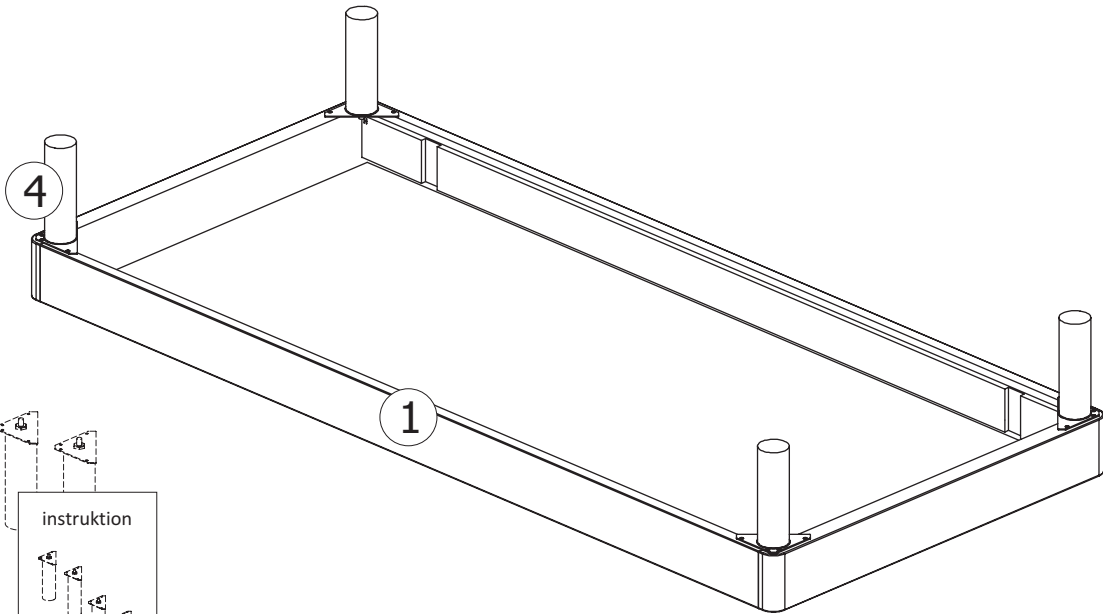
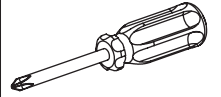
Efterspændes efter 14 dage



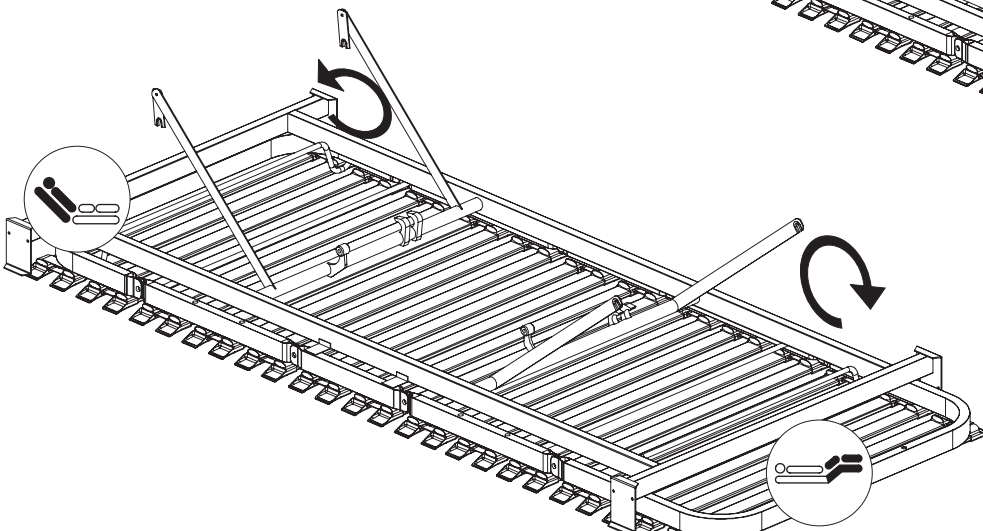
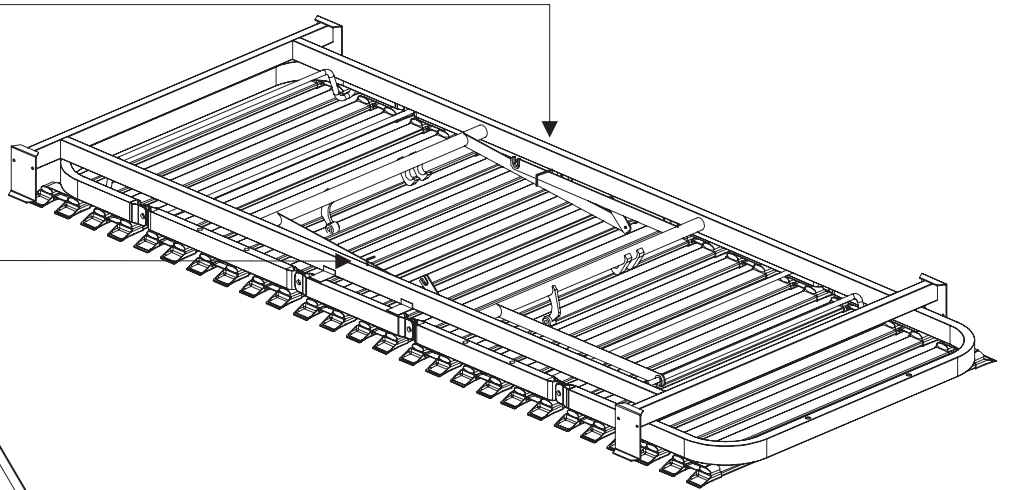
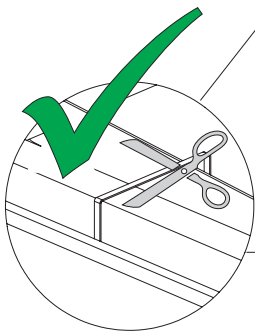
<p>A x 4</p>  <p>3,5 x 30</p>	<p>B x 2</p> 	<p>C x 1</p> 
<p>D x 1</p> 	<p>G x 1</p>   	
	   	



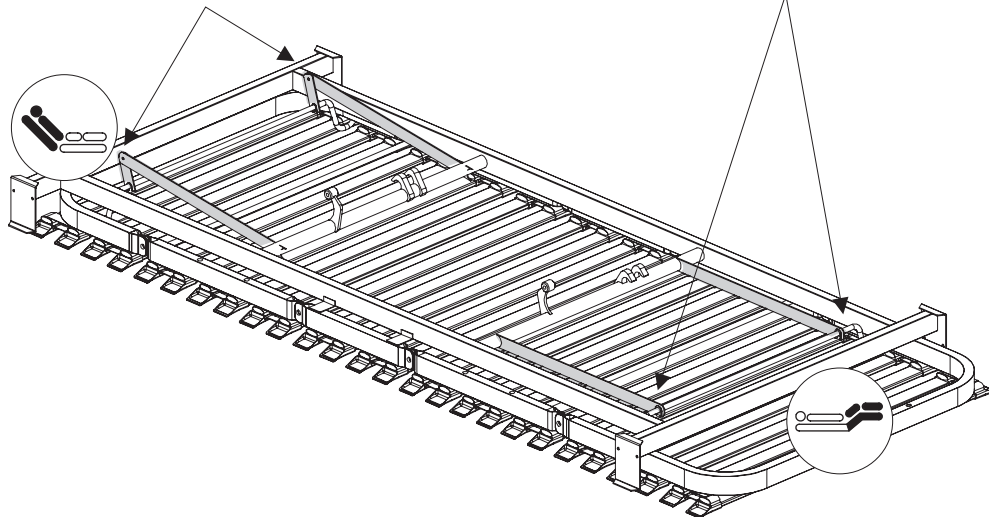
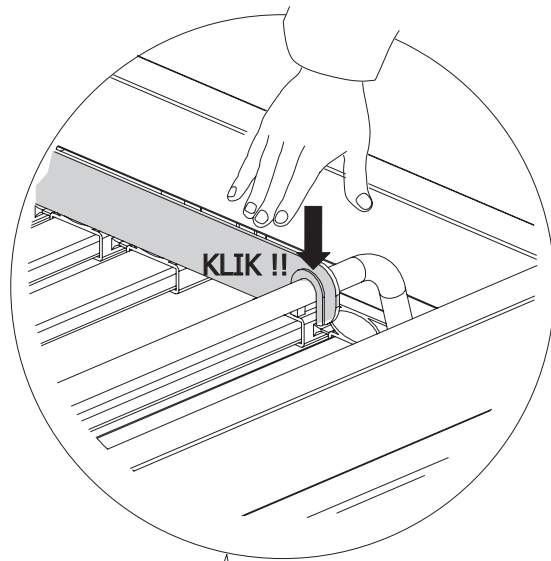
1



2

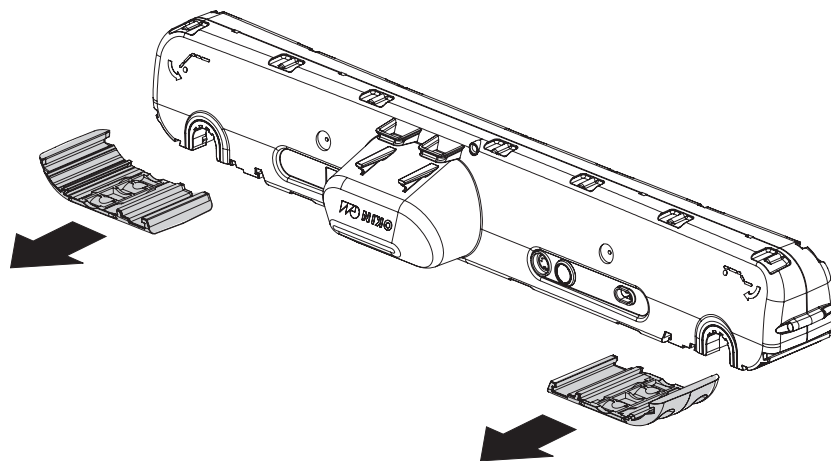
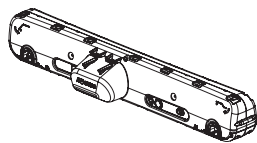


3



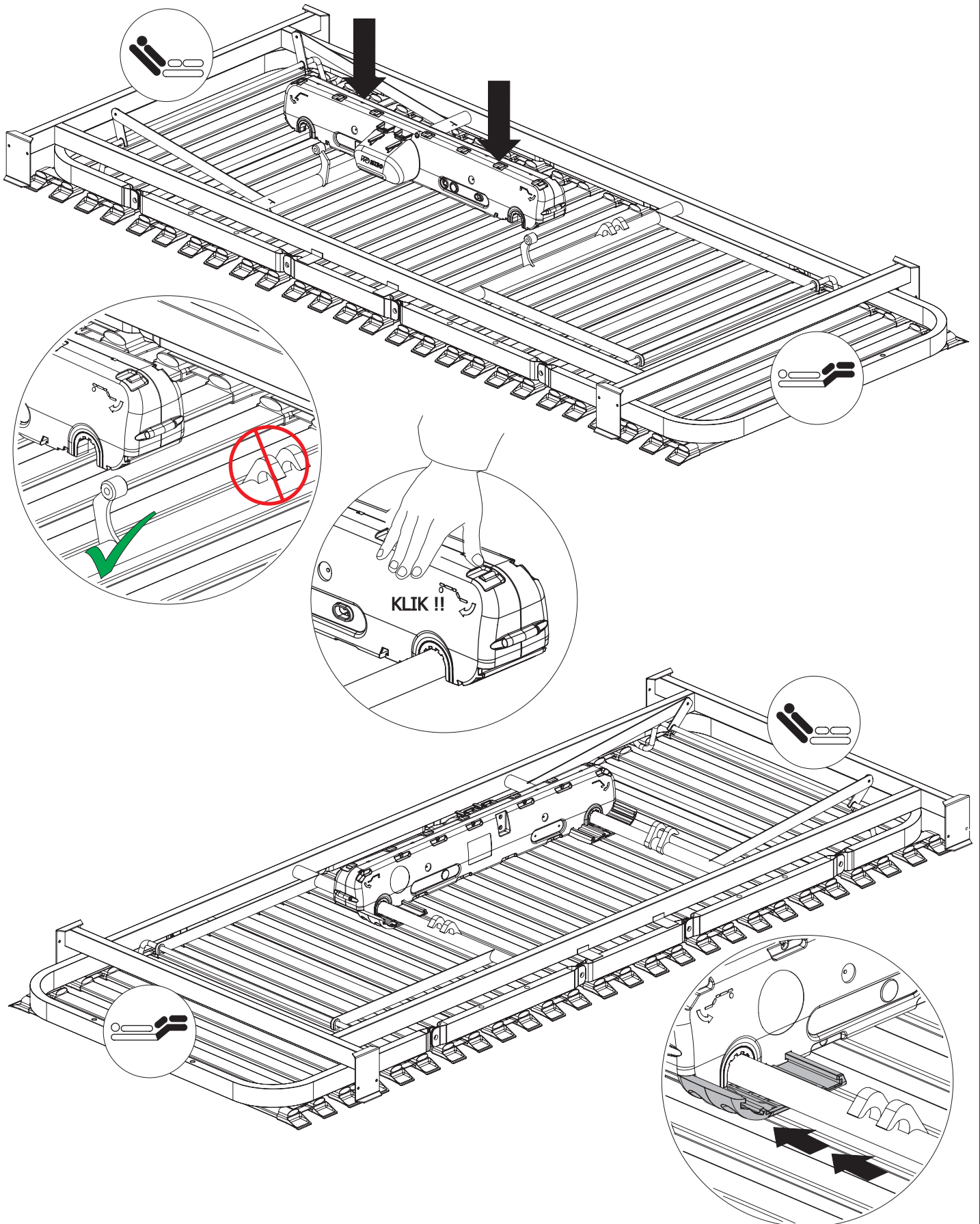
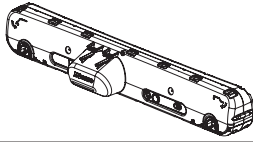
4

C x 1

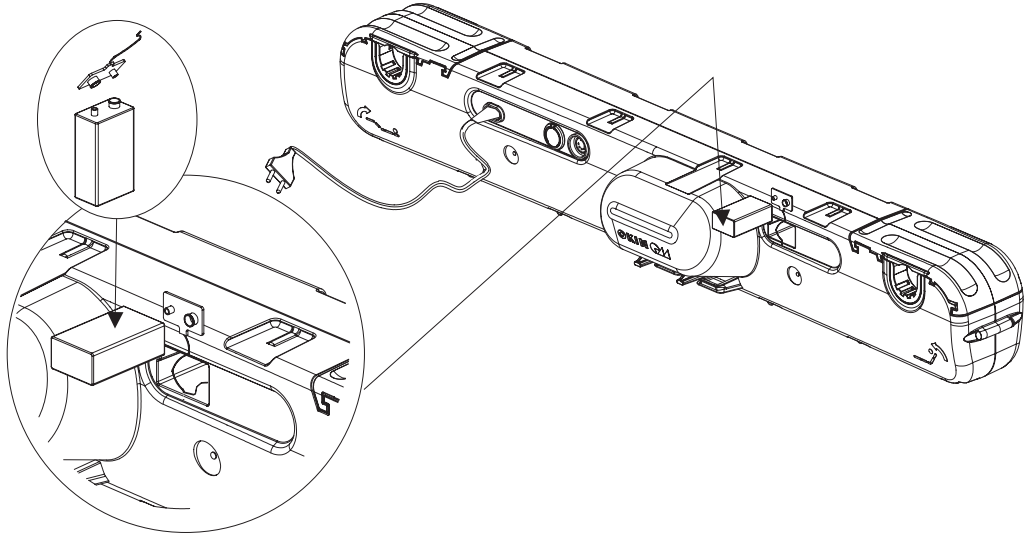
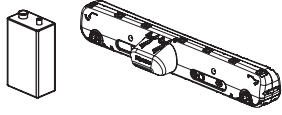


5

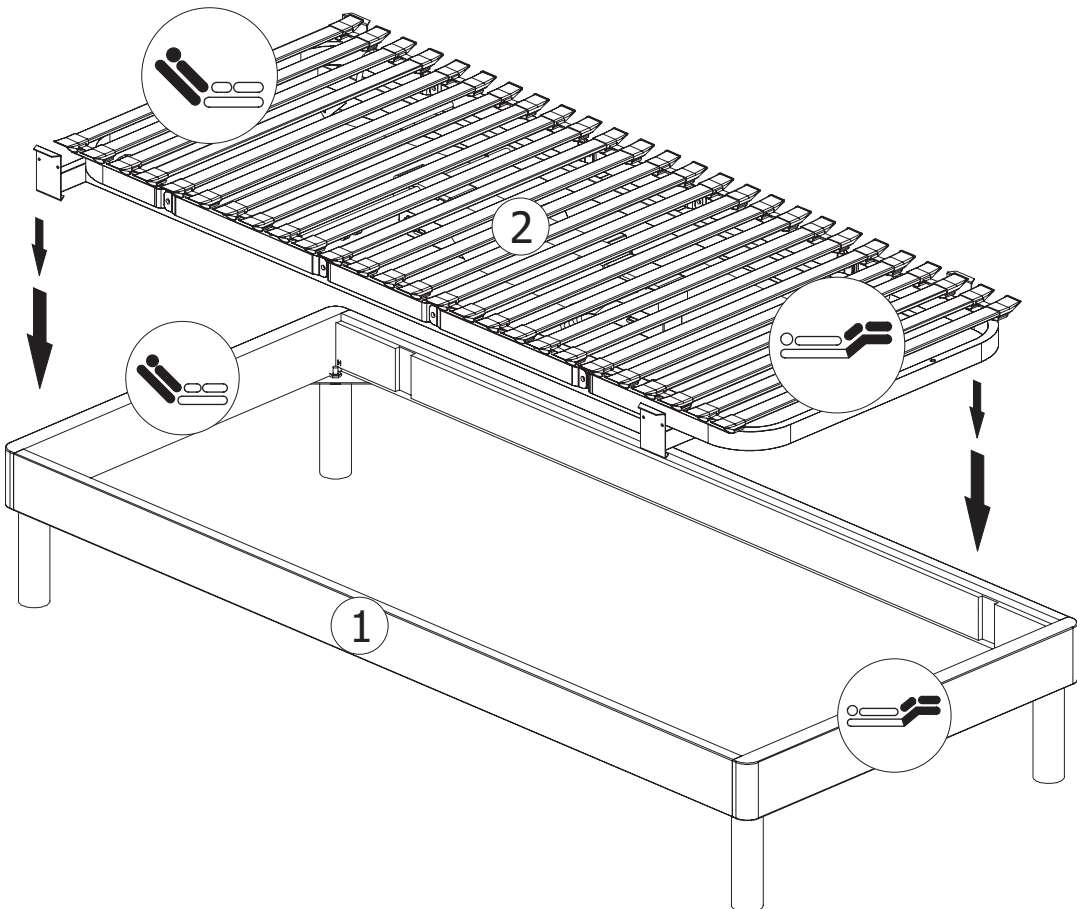
C x 1



6



7

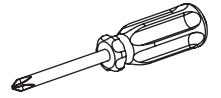


8

A x 4



3,5 x 30

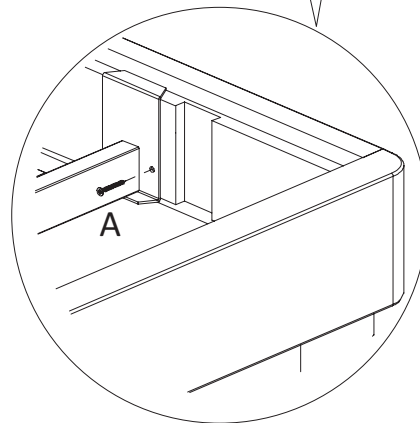
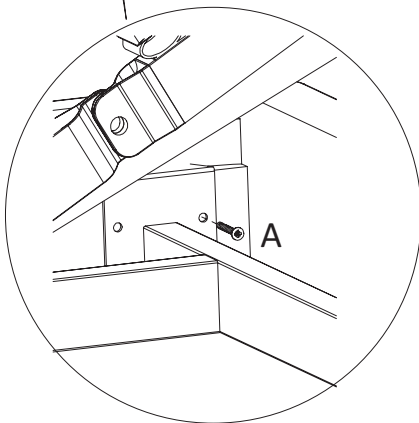
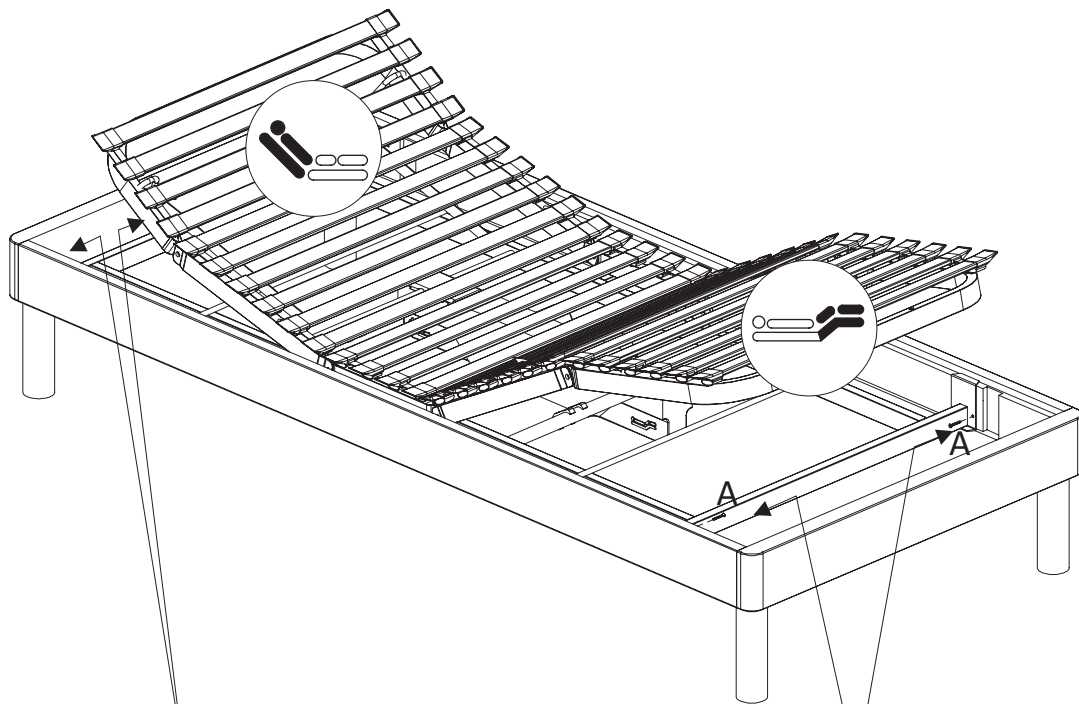
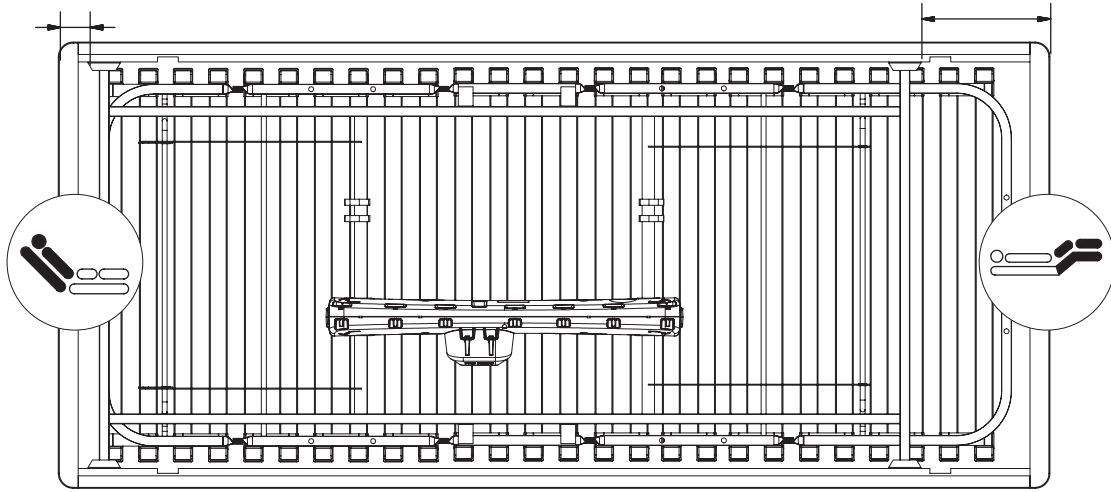


200 = 6cm

210 = 10,5 cm

200 = 26 cm

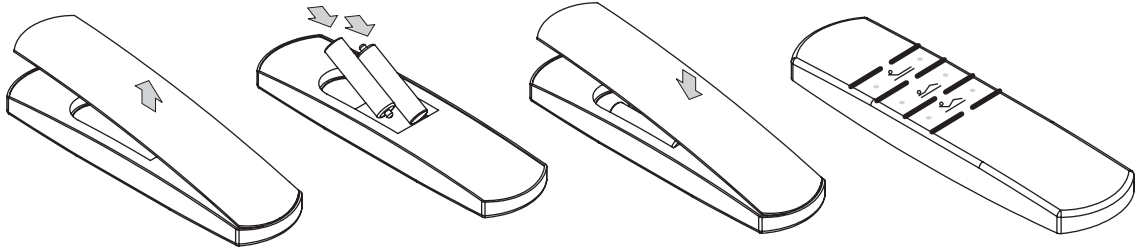
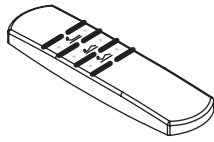
210 = 31,5 cm





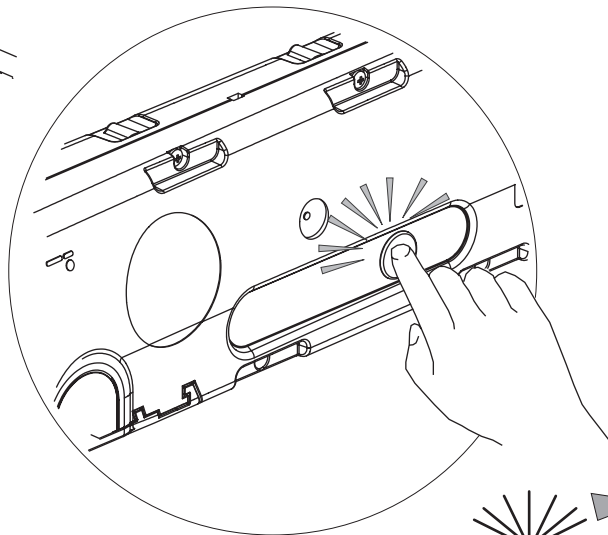
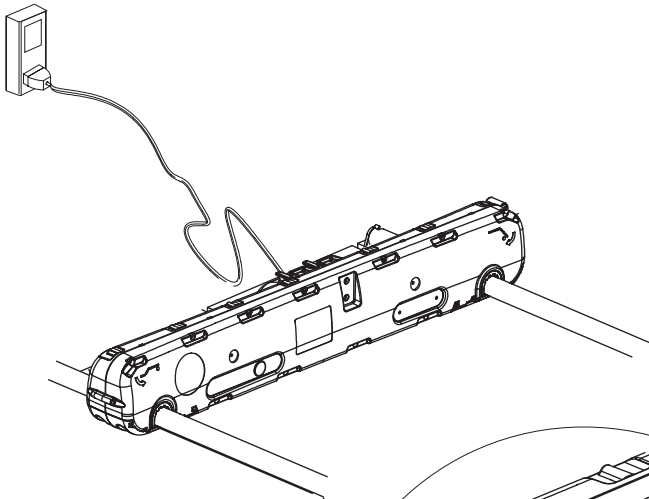
9

D x 1

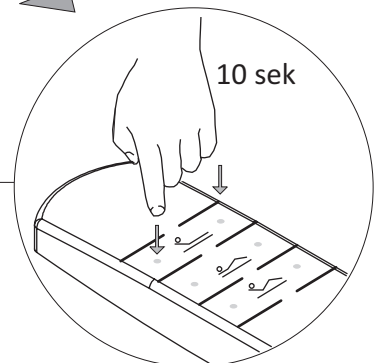
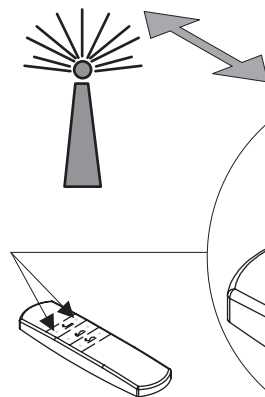


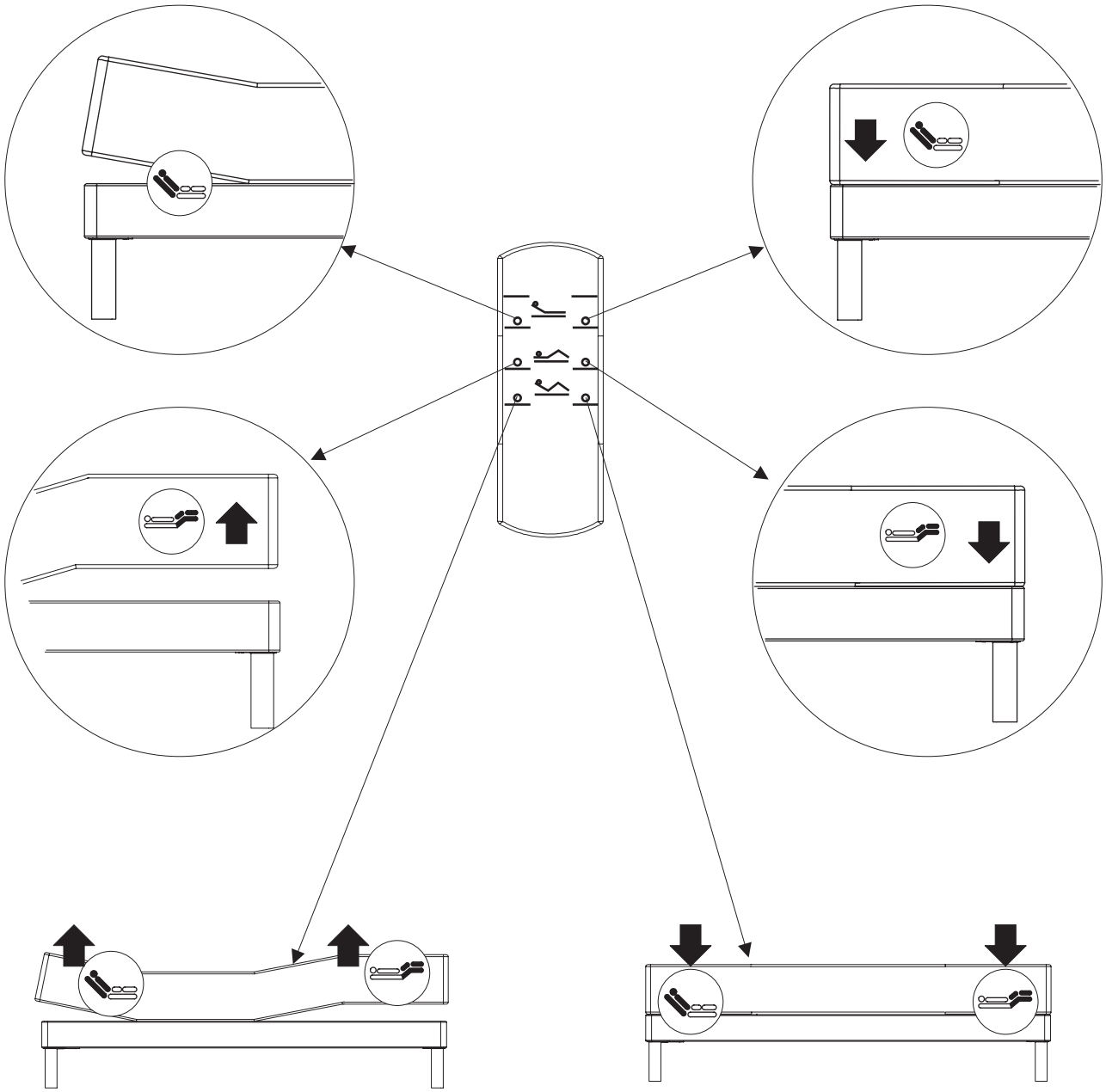
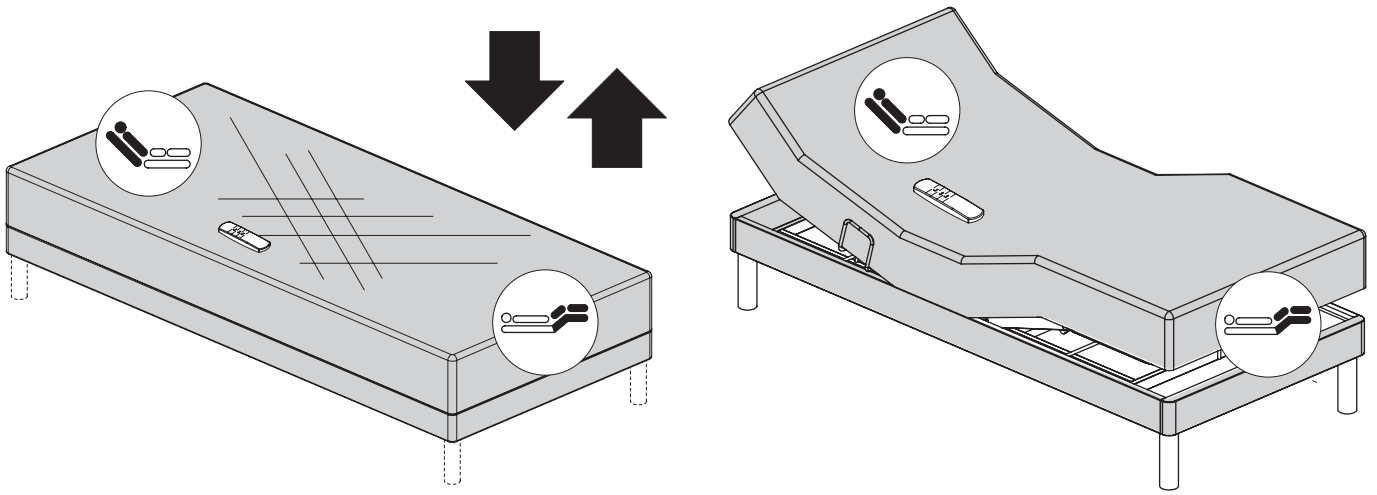
10

D x 1



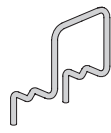
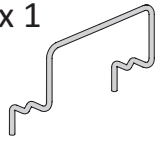
x2 (QUICK)



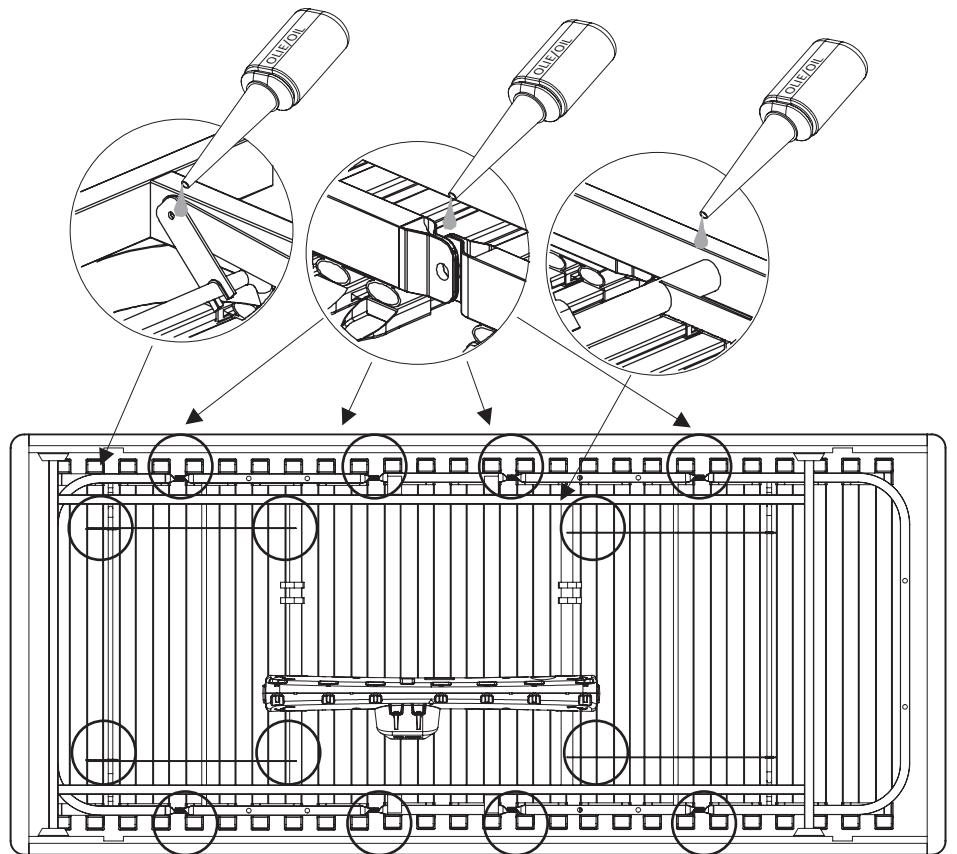
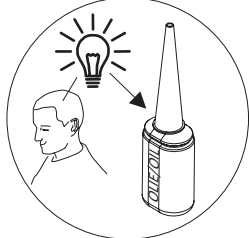
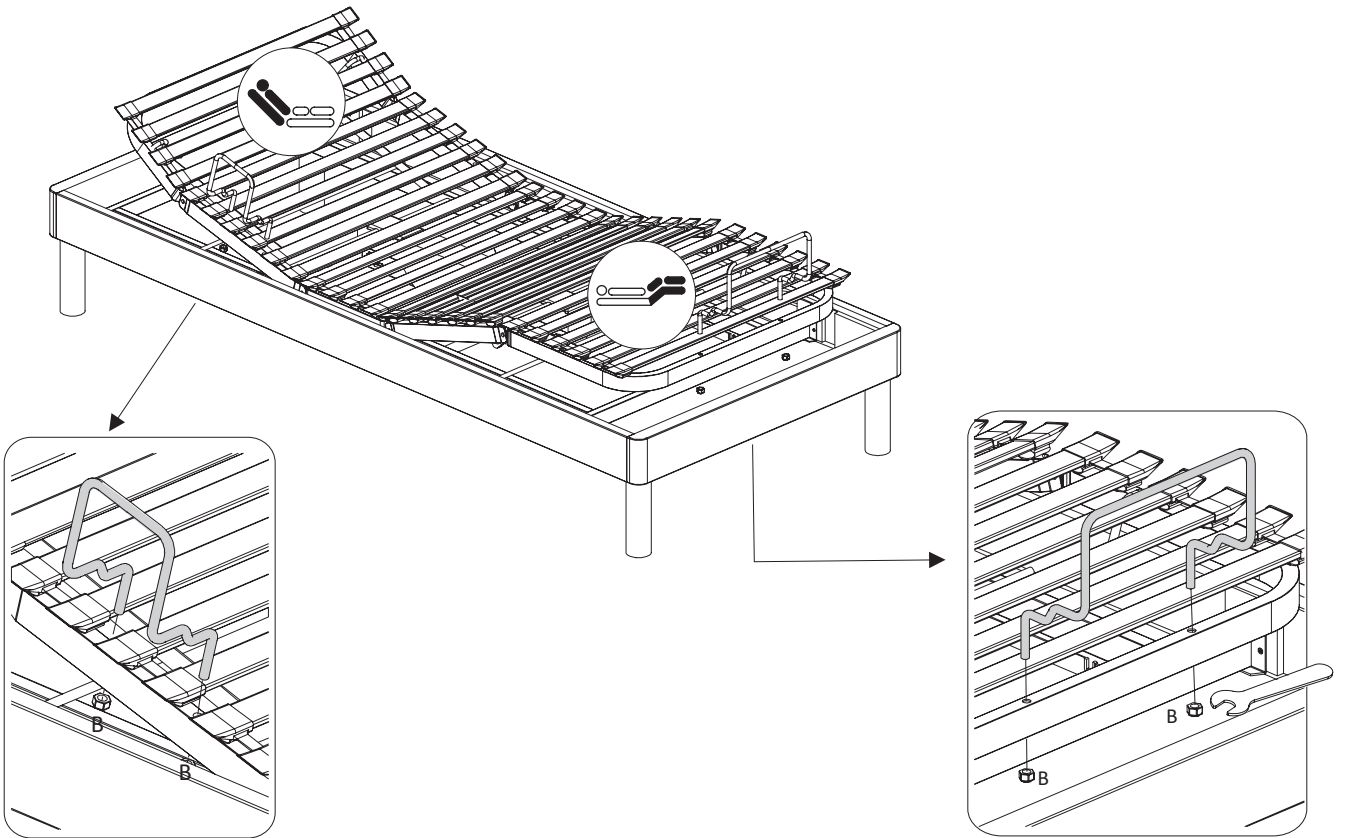
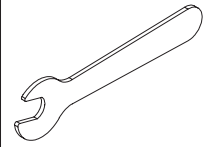


11

G x 1



B x 2





## **EF overensstemmelseserklæring**

Det erklæres hermed at:

### **Elevationsseng T26/T39**

Er produceret i overensstemmelse med følgende direktiver:

- Maskindirektivet - 2006/42/EF
- Lavspændingsdirektivet - 2014/35/EU
- EMC direktivet - 2014/30/EU
- RoHS direktivet - 2011/65/EU

## **EU Declaration of conformity**

It is hereby declared that the product:

### **Elevationsseng T26/T39**

Is produced in accordance to the following rules and regulative:

- The Machinery Directive - 2006/42/EF
- The Low Voltage Directive - 2014/35/EU
- EMC Directive - 2014/30/EU
- RoHS Directive - 2011/65/EU